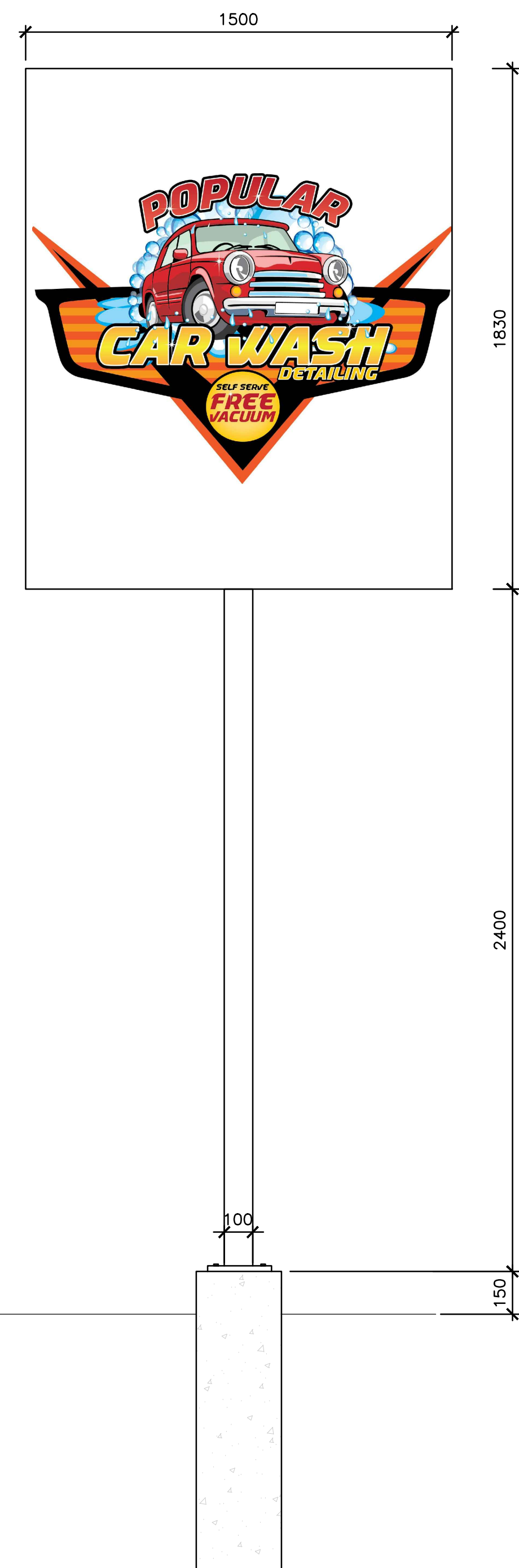
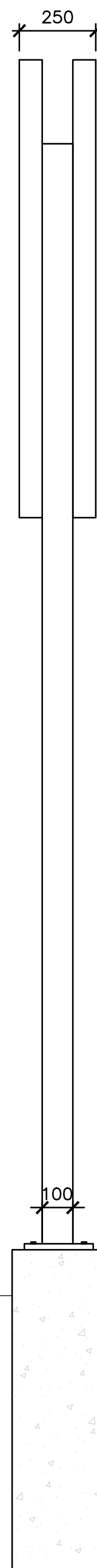


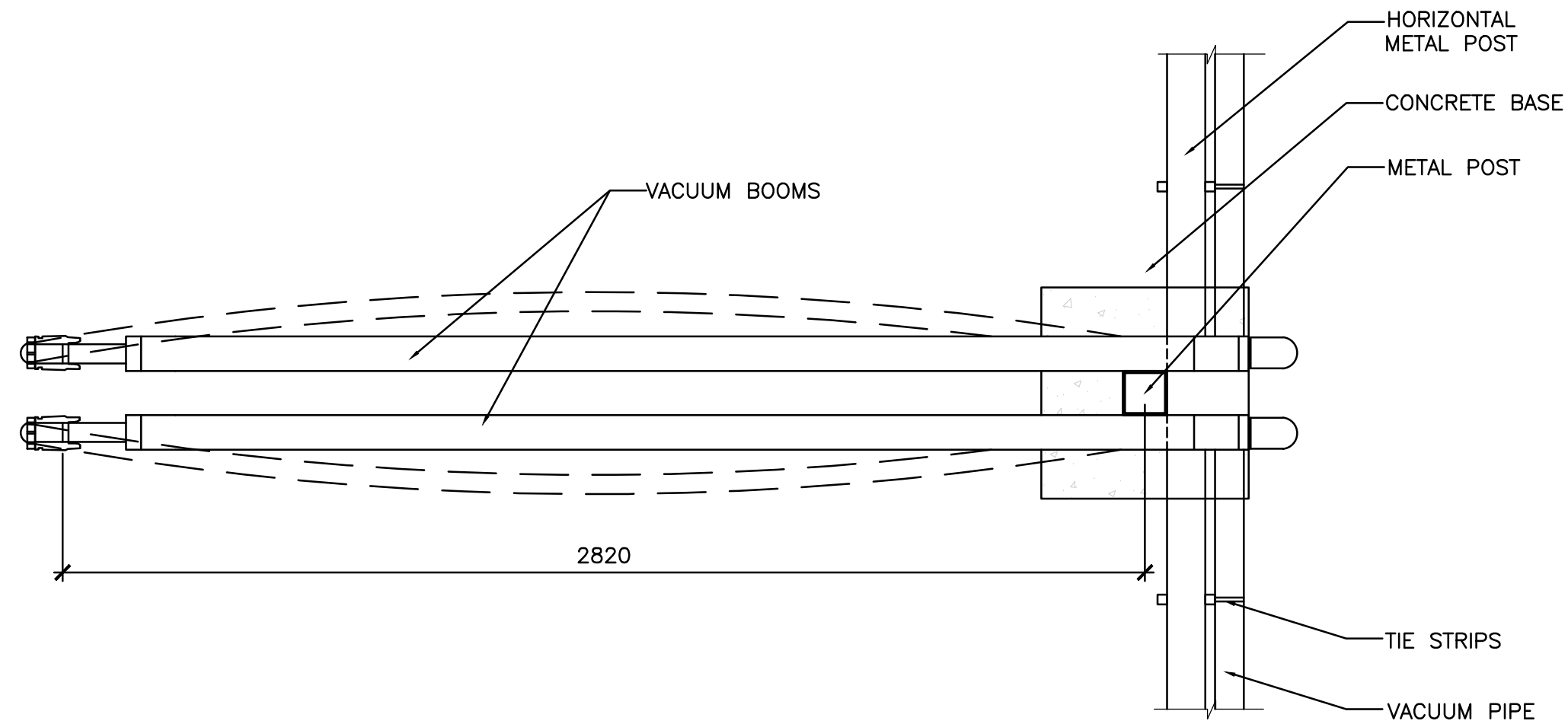
1 PYLON SIGNAGE PLAN
A-1.1 SCALE: 1:15



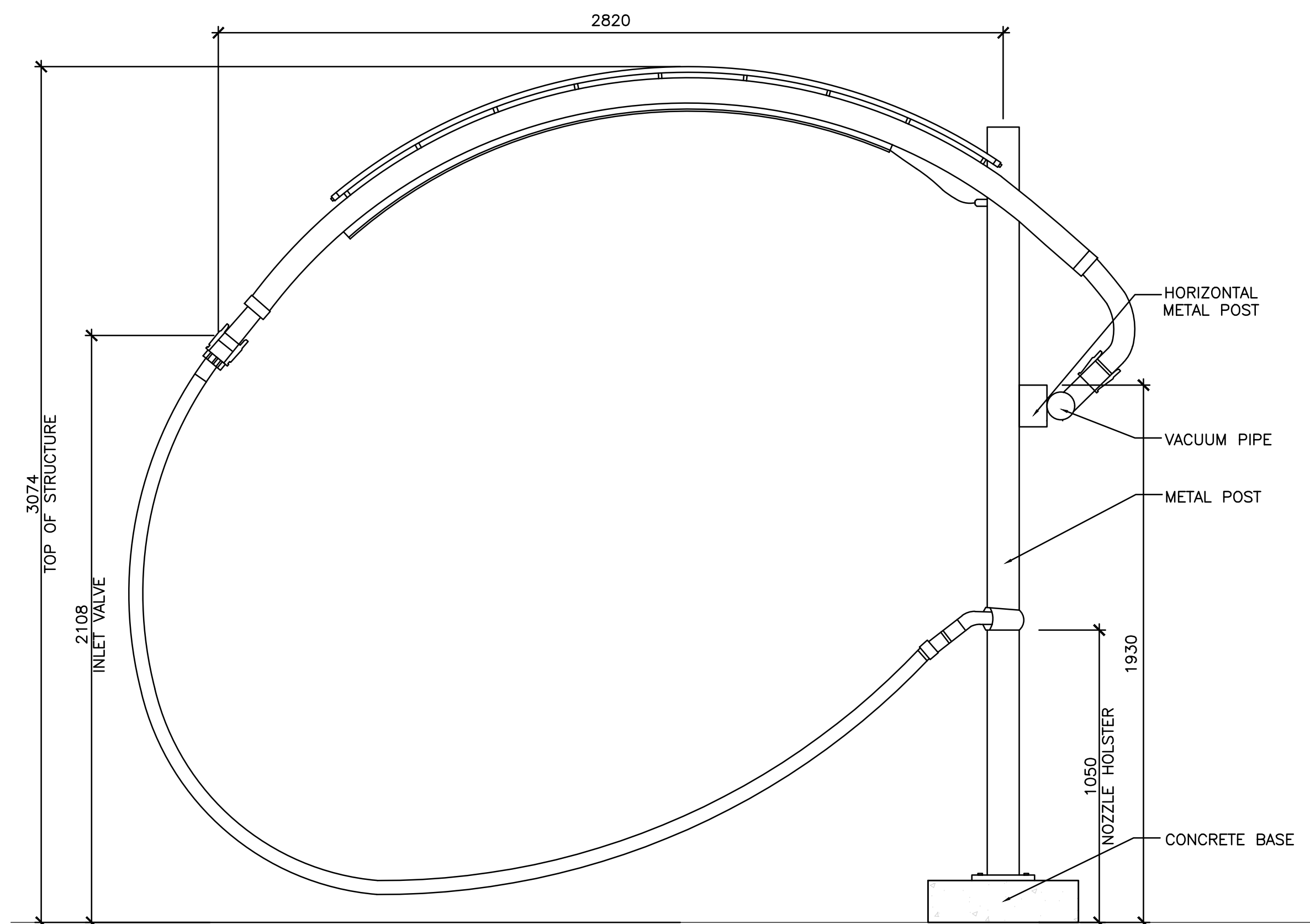
2 PYLON SIGNAGE FRONT/REAR ELEVATION
A-1.1 SCALE: 1:15



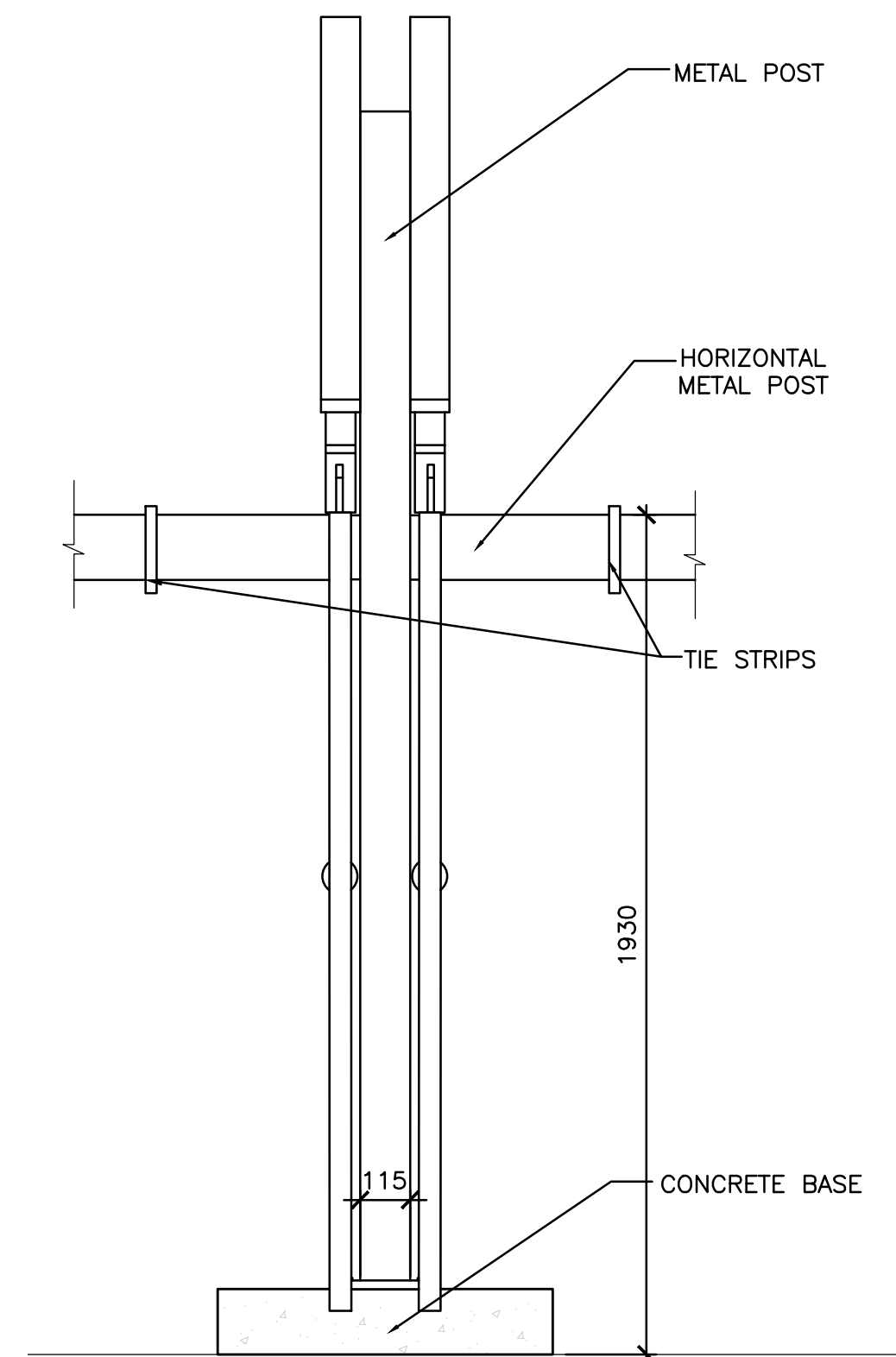
3 PYLON SIGNAGE SIDE ELEVATION
A-1.1 SCALE: 1:15



4 VACUUM BOOM PLAN
A-1.1 SCALE: 1:15



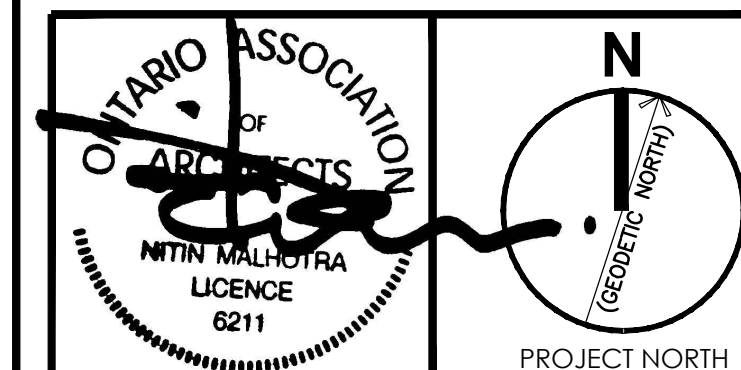
5 VACUUM BOOM SIDE ELEVATION
A-1.1 SCALE: 1:15



6 VACUUM BOOM FRONT ELEVATION
A-1.1 SCALE: 1:15



n Architecture Inc
PRINCIPAL: NITIN MALHOTRA, ARCHITECT.
9120 Leslie Street, Suite-208
Richmond Hill, Ontario. L4B 3J9
T : 4 1 6 . 2 5 6 . 9 7 4 1
E: info@narchitecture.com
www.narchitecture.com



19th AUG. 2024
PRELIMINARY CONCEPT
NOT FOR CONSTRUCTION

No.	Date	Version	Dwn.
1	19 AUG. 2024	ISSUED FOR SPA AMENDMENT	TT

This drawing is copyright property of 'n Architecture Inc'. Not to be reproduced. Contractor must verify all job dimensions, drawings, details and specifications and report any discrepancies to the architect before proceeding with work.

PROJECT:
**CAR WASH
150 MAIN STREET N.
UXBRIDGE, ON**

DRAWING TITLE:
**VACUUM BOOM &
PYLON SIGNAGE
DETAILS**

DRAWN BY: TT DATE: 7th AUGUST 2024

CHECKED BY: NM SCALE: AS NOTED

PROJECT NO.: DRAWING NO.:

24-43 A-1.1